

J3[®] BACK

ORDERING GUIDE





≡ JAY J3® Backs

The most versatile JAY back for all SHAPES, SIZES, and LIFESTYLES

The J3 back range offers a multitude of width, height, and contour depth backs to give your client a precise fit. All backs come complete with easy to adjust hardware designed for easy installation and quick removal.

What makes the J3 unique?

- Four contour shapes provide individualised side-to-side lateral stability.
- Four support height ranges allow you to select the ideal backrest for your client's clinical presentation.
- Accessories include WHITMYER® headrests, lateral thoracic supports, and Spine Align components for perfect support.
- The J3 TC Back uses heating/ ventilation technology to help manage your client's microclimate.
- Carbon Fibre option weighs as little as 2.2 lbs. with hardware.

PAEDIATRIC OPTION:

- The JAY Zip® paediatric back features smaller sizes, lower weights, and contour shapes for active kids.
- The J3 Kids range ensures that young clients from preschool to teens benefit from sizes, contours and accessories just for them.



J3 Carbon Fibre Option

Hardware Included

Three hardware options optimised for varying requirements, wheelchair types and easier installation:

- Options tailored to clients - From the lightest back hardware on the market to HD hardware with a 225kg user weight capacity.
- Quick-release levers for fast back removal.
- Fits round, oval back post widths from 19mm to 25mm.
- Adaptor bracket available for mounting on any Quickie powered wheelchair - See powered wheelchair order form for details.
- Compact fixed hardware option for rigid wheelchair users who demand highly adjustable high performance fixed mounting.



2-pt. Quick Release
HD Hardware

HARDWARE	HD	COMPACT	COMPACT FIXED
CONTACT	2-pt.	2-pt.	2-pt.
ANGLE	+/- 20°	+/- 20°	+/- 10°
WIDTH	up to + 50mm	up to + 50mm	up to + 50mm
DEPTH	50mm	30mm	30mm
WEIGHT CAPACITY	136kg	226kg	-


Performance Materials

- Dual layer, multi-density foam to enhance durability and comfort.
- Layered 3DX™ Spacer Fabric cover promotes airflow and wicks moisture, keeping your client cool and dry.
- Additional anti-microbial top layer on JAY Zip backs.



3DX Spacer Fabric

TABLE OF CONTENTS



2-pt.
Quick-Release
Compact
Mounting
Hardware

Mid Deep Contour Back

Step 1

Choose your product 5

Step 2

Lateral Contouring 6

Step 3

Level of Support 6

Step 4

Back Support Height 7

Step 5

Backrest Width 8

Hardware

Mounting Hardware 9

Recap

Smart Part Number Model 10

Accessories

Headrest Pads 12

Headrest Mounting Hardware 12

Laterals 12

Chest Strap Harness 13

Accessory Bag 13

Spine-Align Kits 13

Spine-Align Components 13

Appendix

Reference Drawings & Tables 14-15

Step 1

Choose your JAY
product

For a custom-fit J3 Backrest, follow this **5-Step Guide**
to determine your **J3 Smart Part Number**.



STEP 1 JAY J3 Backrests available. Enter **J3** into **STEP 1** for the first section of your Smart Part Number.

J3	-	-	-	-
Step 1	Step 2	Step 3	Step 4	Step 5

Note: To order a J3 TC Back, begin with "J3TC".

Note: To order a J3 Carbon Fibre (CF) Back, begin with "J3CF".

* The part number that is generated over the next several pages is for illustrative purposes. Actual part numbers may vary.
Please reference order forms on www.SunriseMedical.co.uk for a full list of options and availability.

Step 2

Lateral Contouring

Follow this **Step 2** to determine your **lateral contouring**.

<p>Shallow Contour Moderate lateral support</p> <p>50 mm</p>	<p>Mid Contour Medium lateral support</p> <p>80 mm</p>	<p>Deep Contour Full lateral support under axilla support</p> <p>150 mm</p>
<p>Mid Deep Contour Full lateral support mid trunk support</p> <p>150 mm</p>	<p>Deep Contour, Extra Deep Full lateral support under axilla support</p> <p>180 mm</p>	<p>Mid Deep Contour, Extra Deep Mid trunk support</p> <p>180 mm</p>

■	■
Deep Contour (DC)	Mid Deep Contour (MDC)
■	■
Mid Contour (MC)	Shallow Contour (SC)

Step 2 Lateral Contouring: How much lateral support is needed: SC, MC, MDC, DC

J3	SC	-	-	-
Step 1	Step 2	Step 3	Step 4	Step 5

Step 3

Level of support

Each individual requires a different level of support, depending on their anatomical measurements, functional needs, and trunk stability.



Step 3 Determine Level of Support. Choose from Lower Thoracic up to Shoulder Height.

J3	SC	UT	-	-
Step 1	Step 2	Step 3	Step 4	Step 5

* Dimensions list back height

Step 4

Back Support Height

Within each level of support (**Step 3**), we offer short, medium, and tall height options to accommodate differences in the user's torso height.



Short (S)

LTS	17cm
MTS	30cm
UTS	42cm
SHS	53cm

Medium (M)

LTM	20cm
MTM	34cm
UTM	46cm
SHM	57cm

Tall (T)

LTT	24cm
MTT	38cm
UTT	50cm
SHT	61cm

Step 4 Determine backrest height range. In (**Step 3**), the level of support is chosen.

Each of these support levels are offered in Short, Medium, and Tall.

These two steps together determine backrest height.

J3	SC	UT	M	-
Step 1	Step 2	Step 3	Step 4	Step 5

Step 5

Backrest Width

<p>Example: Trunk widths measuring between 34cm to 38cm, the SC backrest is 41cm</p>	 Shallow Contour (SC)					 Mid Contour (MC)					 Deep Contour (DC) & Mid Deep Contour (MDC)				
WIDTH	31	36	41	46	51	31	36	41	46	51	31	36	41	46	51
 <p>Chair Back Cane Width Based on outside back cane to outside back cane</p>	31 to 36	36 to 41	41 to 46	46 to 51	51 to 56	31 to 36	36 to 41	41 to 46	46 to 51	51 to 56	31 to 36	36 to 41	41 to 46	46 to 51	51 to 56
 <p>Trunk Width Measure the widest part of the trunk supported by the back</p>	28	33	38	43	48	24.5	29.5	34.5	39.5	44.5	21	28	33	38	43

Step 5 Determine the Backrest Width.

Measure the widest part of the trunk covered by the back or measure the chair back cane width. Reference the chart to select which width works best for the contour chosen in **Step 1** on page 5.

J3	SC	UT	M	41
Step 1	Step 2	Step 3	Step 4	Step 5

Special Options

Compact hardware is included as standard on **LT** and **HT** height backs. **HD** hardware is included on **UT** and **SH** backs.



HD

2-point, Quick-Release hardware that is optimized for use with a tilt-in-space wheelchair, includes a lengthened bracket and attachment pin to accommodate up to 226kg, and offers 5.7cm of depth adjustment and $\pm 20^\circ$ of back angle adjustment.



Compact

2-point, Quick-Release hardware that is optimised for use with an ultra lightweight wheel-chair, weighs 25% less than SH hardware, and offers 4.5cm of depth adjustment and $\pm 10^\circ$ of back angle adjustment.

Select Special Options

J3	SC	UT	M	41
Step 1	Step 2	Step 3	Step 4	Step 5

Recap

SMART PART NUMBER

Example Smart Part Number

J3SCUTM41



- | | | |
|---------------|-----------|--|
| Step 1 | J3 | J3 Back |
| Step 2 | SC | Posterior support, meets 3cm inch posterior contour |
| Step 3 | UT | Designed for supporting the back through the upper thoracic spine |
| Step 4 | M | Medium height back in the upper thoracic support position |
| Step 5 | 41 | Designed to fit wheelchairs 41-46cm in width |

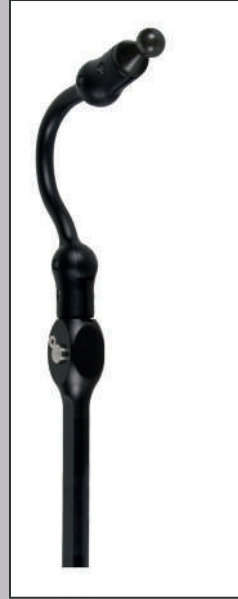


Accessories

Headrest Mounting Hardware



AXYS Mount



Cobra Flip Back Mount

Headrest Pads



PLUSH



Contour cradle

Laterals



Fixed Lateral



Angle Adjustable Swing-Away Laterals

For orders please visit sunrisedice.com/asset-bank/assetfile/43334.pdf

Chest Strap Harness



Contour Style



Classic Style



Center Opening
with Buckle

Accessory Bag



Spine-Align Kits

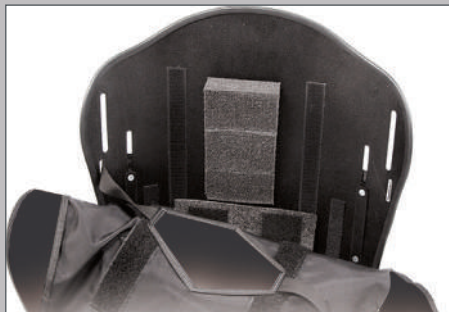


Spine-Alignment Mini Kit



Spine-Alignment Mini Kit II

Spine-Align Components



The components slip between the shell and the cover. It is not necessary to open the foam cover.



Small lumbar

Large Lumbar

Lateral Shim

Posterior/Lateral
Pelvic

Lateral Shim



Curved Shim

Flat Shim

Small Bean Bag

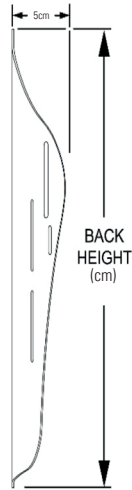
Large Bean Bag



Appendix

SC

JAY J3 Shallow Contour (SC)
Backrest



WIDTH

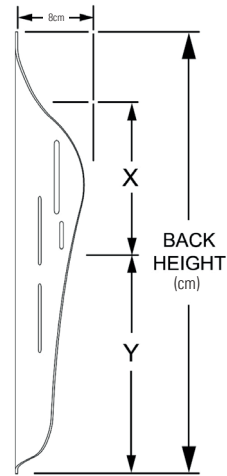
Available Size
 Unavailable Size

HEIGHT

		31cm	36cm	41cm	46cm	51cm
LT	S: 17cm					
	M: 20cm					
	T: 24cm					
MT	S: 30cm					
	M: 34cm					
	T: 38cm					
UT	S: 42cm					
	M: 46cm					
	T: 50cm					
SH	S: 53cm					
	M: 57cm					
	T: 61cm					

MC

Mid Contour (MC)
Backrest



WIDTH

HEIGHT

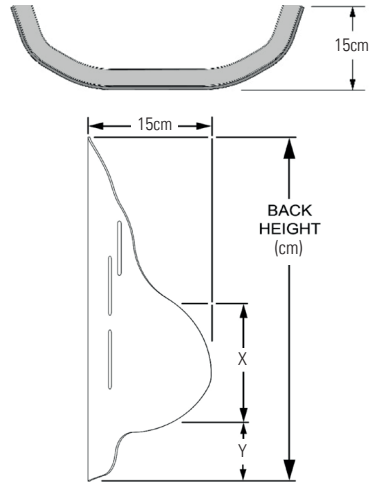
		31cm	36cm	41cm	46cm	51cm
LT	S: 17cm					
	M: 20cm					
	T: 24cm					
MT	S: 30cm					
	M: 34cm					
	T: 38cm					
UT	S: 42cm					
	M: 46cm					
	T: 50cm					
SH	S: 53cm					
	M: 57cm					
	T: 61cm					



Appendix

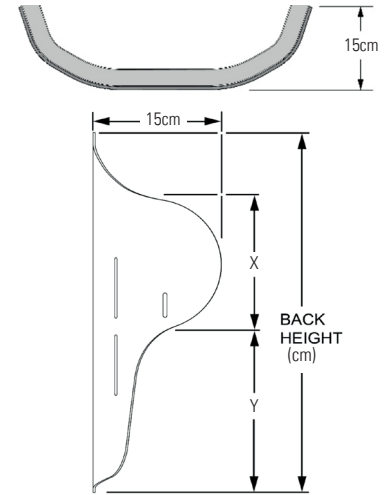
MDC

Mid Deep Contour (MDC)



DC

Deep Contour (DC)



Available Size
 Unavailable Size

WIDTH

		31cm	36cm	41cm	46cm	51cm
LT	S: 17cm	<input checked="" type="checkbox"/>	<input type="checkbox"/>	<input type="checkbox"/>	<input type="checkbox"/>	<input checked="" type="checkbox"/>
	M: 20cm	<input type="checkbox"/>	<input type="checkbox"/>	<input type="checkbox"/>	<input type="checkbox"/>	<input checked="" type="checkbox"/>
	T: 24cm	<input type="checkbox"/>	<input type="checkbox"/>	<input type="checkbox"/>	<input type="checkbox"/>	<input checked="" type="checkbox"/>
MT	S: 30cm	<input type="checkbox"/>	<input type="checkbox"/>	<input type="checkbox"/>	<input type="checkbox"/>	<input type="checkbox"/>
	M: 34cm	<input type="checkbox"/>	<input type="checkbox"/>	<input type="checkbox"/>	<input type="checkbox"/>	<input type="checkbox"/>
	T: 38cm	<input type="checkbox"/>	<input type="checkbox"/>	<input type="checkbox"/>	<input type="checkbox"/>	<input type="checkbox"/>
UT	S: 42cm	<input type="checkbox"/>	<input type="checkbox"/>	<input type="checkbox"/>	<input type="checkbox"/>	<input type="checkbox"/>
	M: 46cm	<input checked="" type="checkbox"/>	<input type="checkbox"/>	<input type="checkbox"/>	<input type="checkbox"/>	<input type="checkbox"/>
	T: 50cm	<input checked="" type="checkbox"/>	<input type="checkbox"/>	<input type="checkbox"/>	<input type="checkbox"/>	<input type="checkbox"/>
SH	S: 53cm	<input checked="" type="checkbox"/>	<input type="checkbox"/>	<input type="checkbox"/>	<input type="checkbox"/>	<input type="checkbox"/>
	M: 57cm	<input checked="" type="checkbox"/>	<input checked="" type="checkbox"/>	<input type="checkbox"/>	<input type="checkbox"/>	<input type="checkbox"/>
	T: 61cm	<input checked="" type="checkbox"/>	<input checked="" type="checkbox"/>	<input checked="" type="checkbox"/>	<input type="checkbox"/>	<input type="checkbox"/>

WIDTH

		31cm	36cm	41cm	46cm	51cm
LT	S: 17cm	<input checked="" type="checkbox"/>	<input checked="" type="checkbox"/>	<input checked="" type="checkbox"/>	<input checked="" type="checkbox"/>	<input checked="" type="checkbox"/>
	M: 20cm	<input checked="" type="checkbox"/>	<input checked="" type="checkbox"/>	<input checked="" type="checkbox"/>	<input checked="" type="checkbox"/>	<input checked="" type="checkbox"/>
	T: 24cm	<input checked="" type="checkbox"/>	<input checked="" type="checkbox"/>	<input checked="" type="checkbox"/>	<input checked="" type="checkbox"/>	<input checked="" type="checkbox"/>
MT	S: 30cm	<input type="checkbox"/>	<input type="checkbox"/>	<input type="checkbox"/>	<input type="checkbox"/>	<input type="checkbox"/>
	M: 34cm	<input type="checkbox"/>	<input type="checkbox"/>	<input type="checkbox"/>	<input type="checkbox"/>	<input type="checkbox"/>
	T: 38cm	<input type="checkbox"/>	<input type="checkbox"/>	<input type="checkbox"/>	<input type="checkbox"/>	<input type="checkbox"/>
UT	S: 42cm	<input type="checkbox"/>	<input type="checkbox"/>	<input type="checkbox"/>	<input type="checkbox"/>	<input type="checkbox"/>
	M: 46cm	<input checked="" type="checkbox"/>	<input type="checkbox"/>	<input type="checkbox"/>	<input type="checkbox"/>	<input type="checkbox"/>
	T: 50cm	<input checked="" type="checkbox"/>	<input type="checkbox"/>	<input type="checkbox"/>	<input type="checkbox"/>	<input type="checkbox"/>
SH	S: 53cm	<input checked="" type="checkbox"/>	<input type="checkbox"/>	<input type="checkbox"/>	<input type="checkbox"/>	<input type="checkbox"/>
	M: 57cm	<input checked="" type="checkbox"/>	<input checked="" type="checkbox"/>	<input type="checkbox"/>	<input type="checkbox"/>	<input type="checkbox"/>
	T: 61cm	<input checked="" type="checkbox"/>	<input checked="" type="checkbox"/>	<input checked="" type="checkbox"/>	<input type="checkbox"/>	<input type="checkbox"/>



**J3 Back also comes in
Carbon Fibre and
Heating & Ventilation options.**



J3 Carbon

Provides firm stabilisation of the pelvis and lower spine to encourage an optimal spinal curve.

Temperature Control (TC)

Ensures you are comfortable whatever the weather and helps reduce fatigue.

Sunrise Medical® and JAY® are trademarks of Sunrise Medical.

For more information go to:
SunriseMedical.co.uk/J3Back



Thorns Road, Brierley Hill,
West Midlands, DY5 2LD UK
0845 605 6688

www.Sunrisemedical.co.uk
info@sunmed.co.uk

